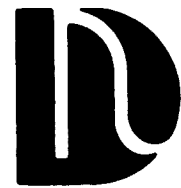


Dixie-Narco®



Lawrence Street
Ranson, West Virginia 25438

(304) 725-3481
(800) 624-0553

Service Bulletin # 263

MODELS: DNCB Adaptable - 1 1/4"
DNCB Dual Adaptable - 1 1/4"

Date: January 31, 1984
Revised: October 23, 1986

SUBJECT: Adjustment and shimming for 10 oz. pre labeled juice bottle - wide mouth, for 10 oz. NR-Tropicana Paper Label, and for Farmfield 10 oz. wide mouth Plasti-Shield, Juice Bowl 10 oz. juice bottle, Very Fine 10 oz. PLB.

STANDARD COLUMN ONLY, DOUBLE DEPTH

1. Locate the top of the rear spacer in hole no. 23. Locate the bottom, of the rear spacer as far to the rear as it will go - beyond the holes. Fig. 1.
2. Install the right shim (part #A4090.06) as shown. Fig. 2. Install the left shim (part #4080.06) not shown in a similar manner.
3. In addition for Tropicana install one (1) black shim each side of column.
4. Make sure dimension where shown between spring and shim is 1 1/2". Fig. 3.

NARROW COLUMN ONLY, SINGLE DEPTH

1. Locate the rear spacer in hole no. 8. Fig. 1.
2. Set the adjustable gray cam at position #4.
3. No shims are needed in Narrow Columns.
4. Load and dispense the bottles single depth only in the narrow columns.

SOLD OUT PADDLE ADJUSTMENT STANDARD AND NARROW COLUMNS:

1. The Sold-Out Paddles should be bent downward to give a minimum amount of pressure on the product, but still allow the paddle to clear the sold-out switches when depressed.

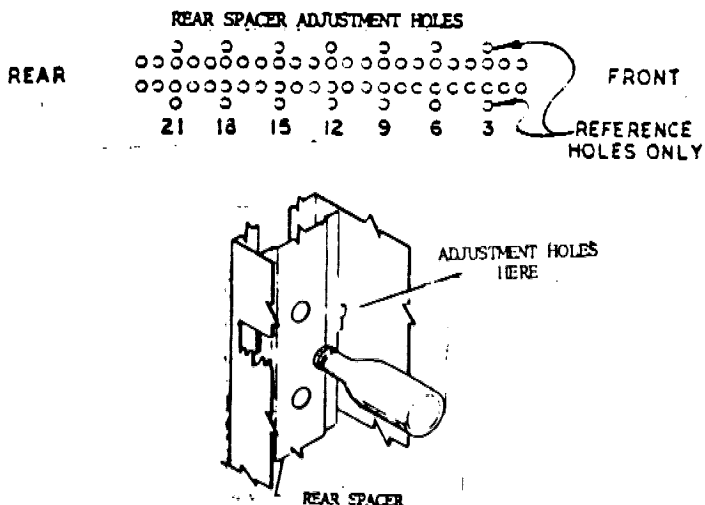


Fig. 1

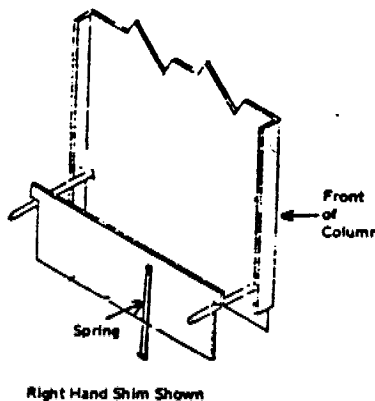


Fig. 2

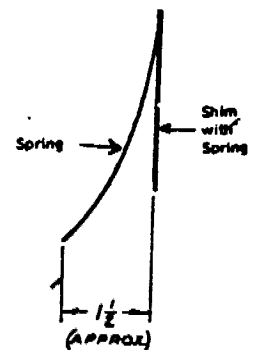


Fig. 3